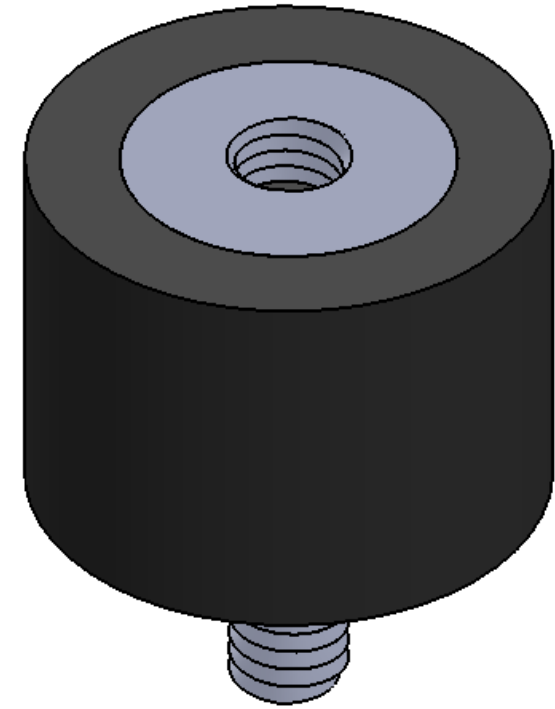
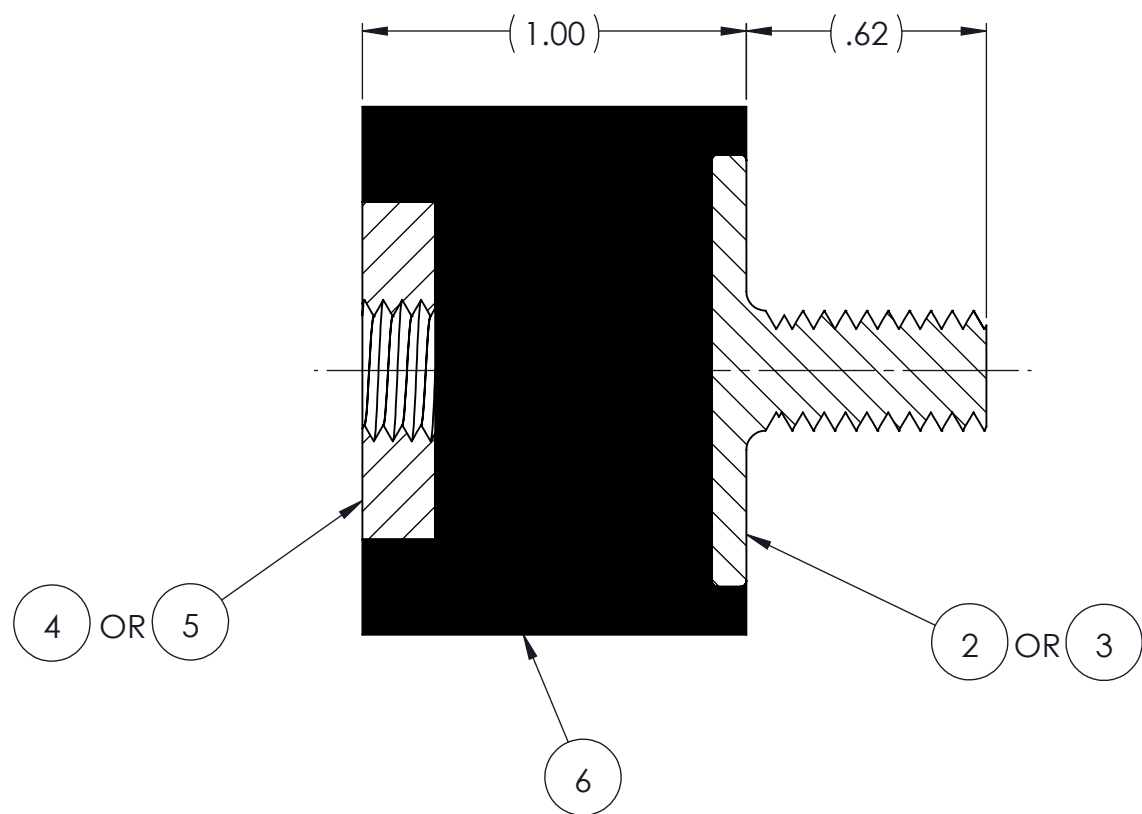
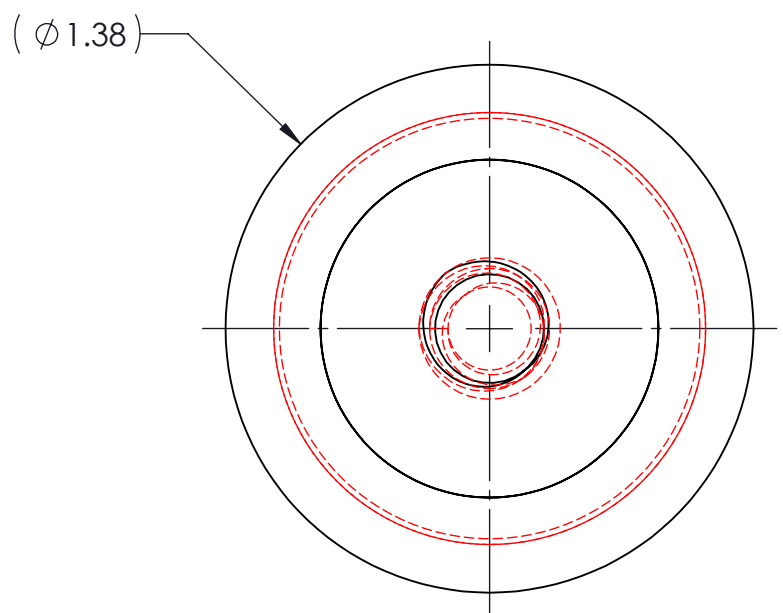


REVISIONS			
REV.	DESCRIPTION	DATE	APPROVED
1	INITIAL RELEASE OF DRAWING	8/27/2014	BS



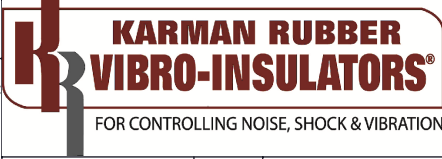
NOTES:

- 1 MATERIAL: ELASTOMER AND DUROMETER OF 40, 50, 60 OR 70 TO BE SPECIFIED.
- 2 ALL DIMENSIONS ARE REFERENCE.
- 3 AVAILABLE WITH THREADS OF 5/16-18 UNC AND M8 X 1.25.

QTY.	DESCRIPTION	PART NUMBER	MATERIAL OR NOTES	ITEM
AR	ELASTOMER	K434-4	1	6
1	MK40018T	MK40018T		5
1	MK400M8T	MK400M8T		4
1	MK430-CC	MK430-CC		3
1	MK430-M8-5/8	MK430-M8-5/8		2
	K434	K434		1

PROPRIETARY AND CONFIDENTIAL THE INFORMATION CONTAINED IN THIS DRAWING IS THE SOLE PROPERTY OF KARMAN RUBBER. ANY REPRODUCTION IN PART OR AS A WHOLE WITHOUT THE WRITTEN PERMISSION OF KARMAN RUBBER IS PROHIBITED.	SIGNATURE		DATE
	DRAWN	B. SENEAL	08/27/2014
	CHECK	S. BROWN	08/27/2014
	ENGR	B. SENEAL	08/27/2014
	QA		
STRESS			
APPR			

UNLESS OTHERWISE SPECIFIED:
DIMENSIONS ARE IN INCHES
TOLERANCES:
.X = ± 0.031
.XXX = ± 0.0031
ANGLES = ± 1°
INTERPRET GEOMETRIC TOLERANCING PER: ASME Y14.5M-1994



TITLE: K434 SERIES VIBRO-INSULATOR WWW.KARMAN.COM			
SIZE: B	CAGE CODE	DWG. NO. K434	REV 1
DO NOT SCALE DRAWING	SCALE: 2:1	WEIGHT: 1.75 OZ.	SHEET 1 OF 1